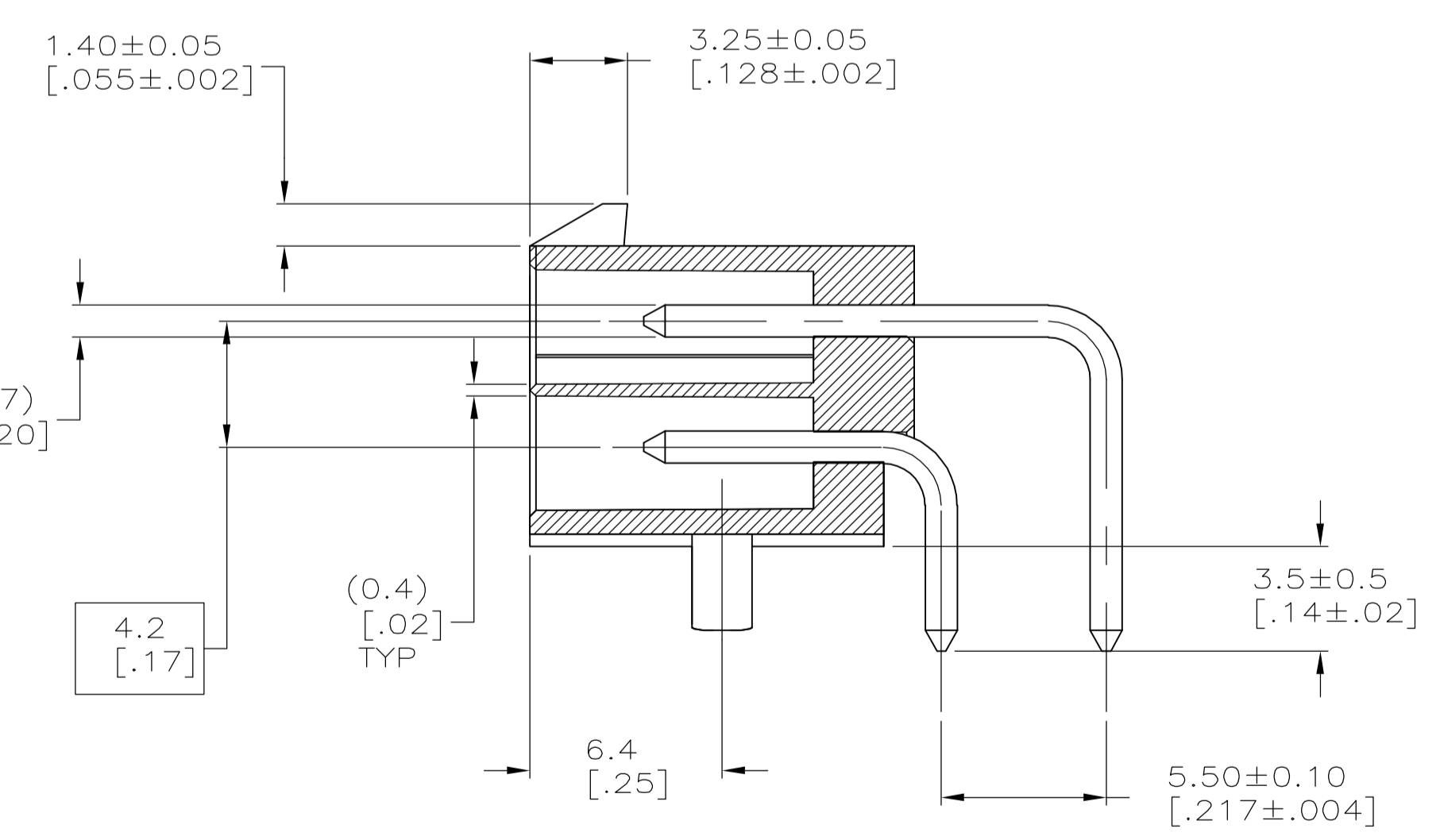
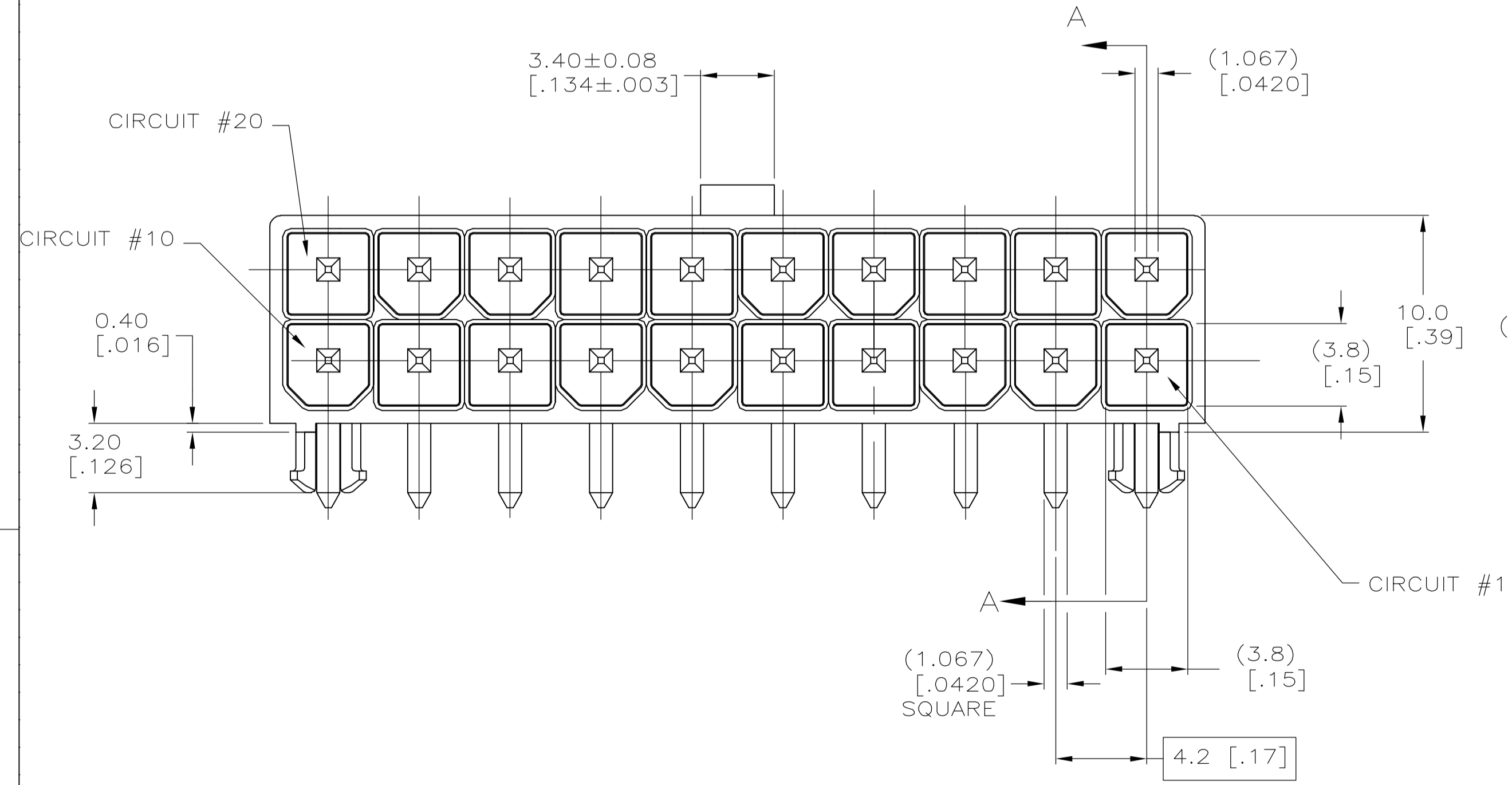
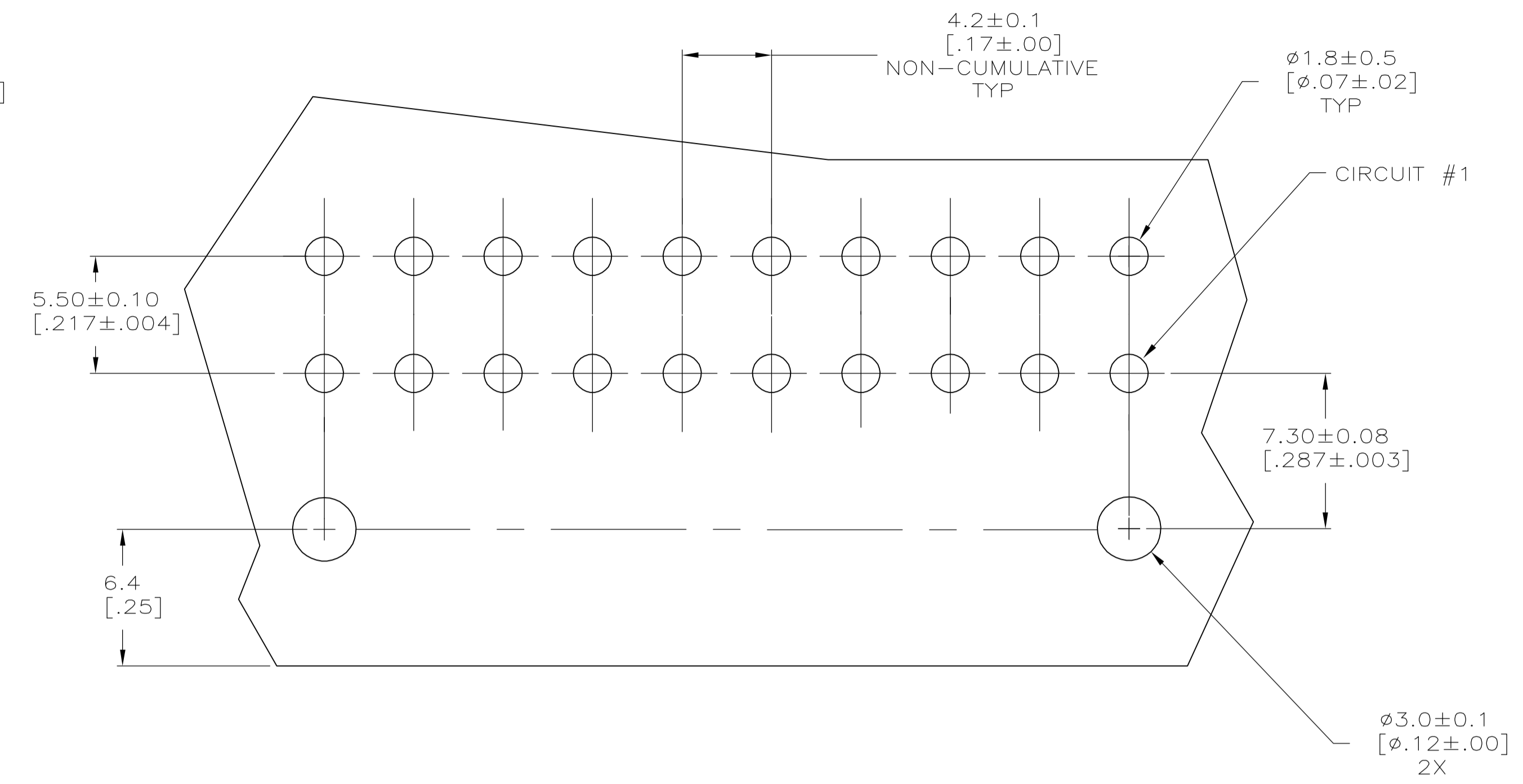
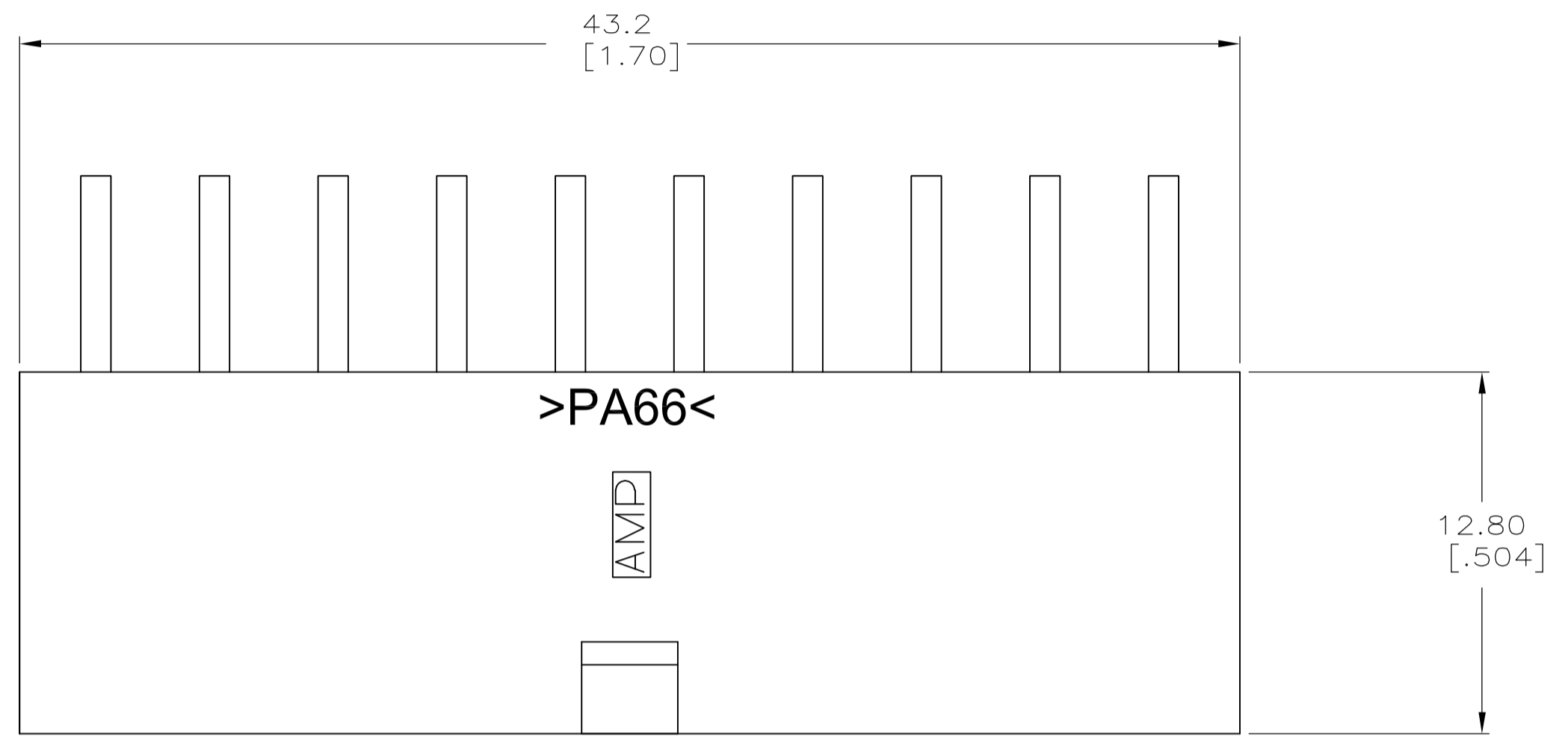


- ⚠ MATERIAL: HOUSING - NYLON, UL94V-2 (COLOR - NATURAL).
PIN - 1.067mm² [.0017in²] COPPER ALLOY.
- 2. PINS TO COMPLY WITH SOLDERABILITY SPEC 109-11-3.
- ⚠ 0.00381 [.000150] MINIMUM TIN LEAD OVER 0.00127 [.000050] MINIMUM NICKEL, ENTIRE LENGTH OF PIN.
- ⚠ NOTE DELETED.
- ⚠ 0.00381 [.000150] MINIMUM TIN OVER 0.00127 [.000050] MINIMUM NICKEL, ENTIRE LENGTH OF PIN.



SUPERSEDED BY 1-794449-1

⚠	⚠	⚠	⚠	1-794449-1
⚠	⚠	⚠	⚠	794449-1
MATERIAL		FINISH		ASSEMBLY
PIN		HOUSING		

METRIC

THIS DRAWING IS A CONTROLLED DOCUMENT.

DIMENSIONS: mm [INCHES]	TOLERANCES UNLESS OTHERWISE SPECIFIED:	DIN S. HOOVER 02-MAR-2005	Tyco Electronics Corporation Harrisburg, Pa 17105-3608
0 PLC ±	1 PLC ± 0.2 [.01]	CM 00 02-MAR-2005	
2 PLC ± 0.13 [.005]	3 PLC ±	APVD D. COLEY 02-MAR-2005	ASSEMBLY, HEADER, RIGHT ANGLE, 20 POSITION, W/PEGS, 94V-2, AMP-DUAC POWER CONNECTOR
4 PLC ±	ANGLES ± 0° 30'	NAME D. COLEY	
MATERIAL SEE CHART	FINISH SEE CHART	PRODUCT SPEC 108-1646	SIZE CAGE CODE DRAWING NO
		APPLICATION SPEC 114-6067	A1 00779C=794449
		WEIGHT	CUSTOMER DRAWING
		SCALE 5:1	SHEET 1 OF 1 REV E